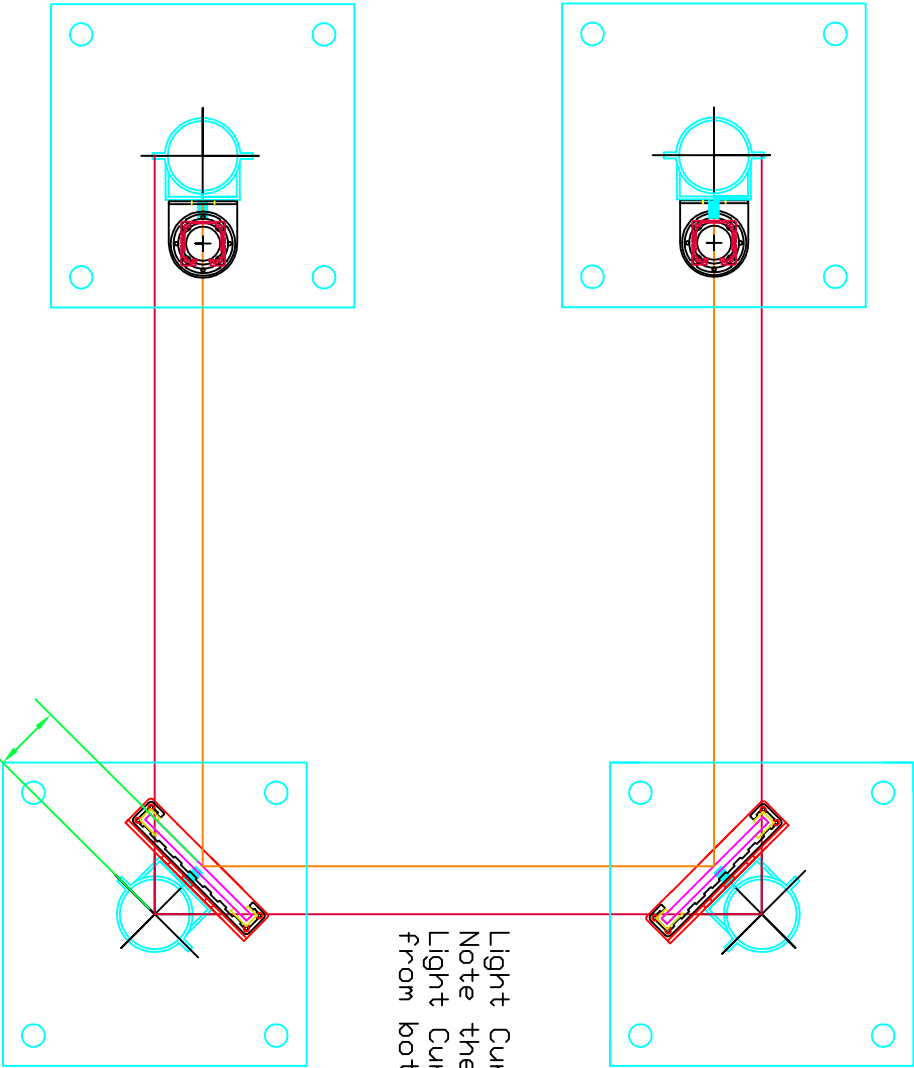


REVISIONS				
ZONE	REV	DESCRIPTION	DATE	APPROVED



Light Curtain & Mirror setup for 3 side guarding
 Note the light curtain offset from the Mirrors
 Light Curtain Pedestal needs to be moved in by 1.58"

if you are not using Model 8000 Pedestals,
 the Light Curtain Pedestal offset to the
 distance from the center of the mirror surface to
 the center of the mount at shown.
 $Offset = \sqrt{M^2} / 2$

UNLESS OTHERWISE SPECIFIED: DIMENSIONS ARE IN INCHES		Pinnacle Systems, Inc.	
DECIMALS	± .05	3 Sided guarding	
ANGULAR	± 0.5°	SIZE	FSCM NO.
DO NOT SCALE DRAWING		B	DWG NO. 28-163
DRAWN	DATE	SCALE	SHEET OF
CHECKED			
DESIGN			