

UL-601(Rev. 2) Anti-Tie Down Concurrent Operation Module

(For use with two Palm buttons or UltraTouch buttons.)

NOTE: The following information is only for UL-601 boards marked 52-252R2.

Operation: The UL-601 takes input from 2 Palm buttons (or UltraTouch ergonomic palm buttons) and provides a monitored Dry output contact (for your RUN circuit) which closes when both palm buttons are activated within 1/4 sec of each other. If either button is released, the other button must also be released before the output will close again.

Warning: Make sure the Palm Buttons are mounted in accordance to OSHA/ANSI regulations.

| Terminal# | Function |
|-----------|--|
| 1 | Power In (120vac LINE or optional 24vdc POS) |
| 2 | Power in (120vac Neutral or optional 24vdc NEG) |
| 3 | Earth Ground |
| 4 | +24vdc OUT to Palm Buttons |
| 5 | N.C. 24vdc IN from Palm #1 |
| 6 | N.O. 24vdc IN from Palm #1 |
| 7 | N.C. 24vdc IN from Palm #2 |
| 8 | N.O. 24vdc IN from Palm #2 |
| 9-10 | N.O. Safety Output (Dry 8A contact thru K1 & K2) |
| 11-12 | N.C. Output (Dry 8A contact thru K2) |

Power Input: 5 watts max (120vac standard, 24vdc unit optional)

Replacement Relay: 32-047

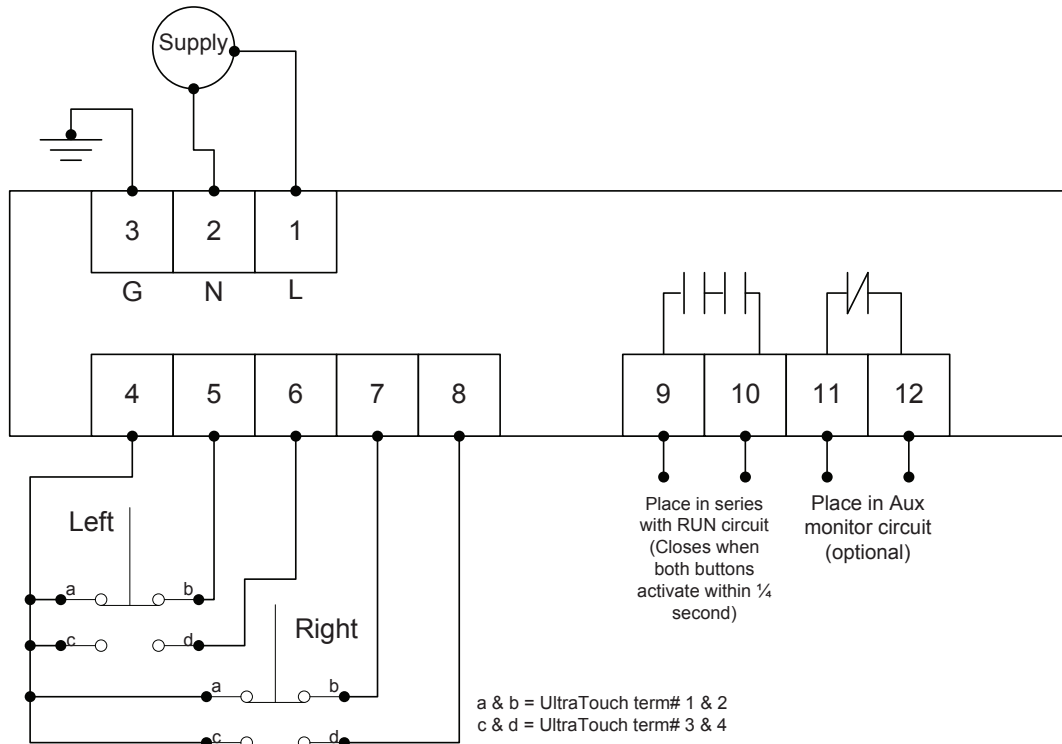
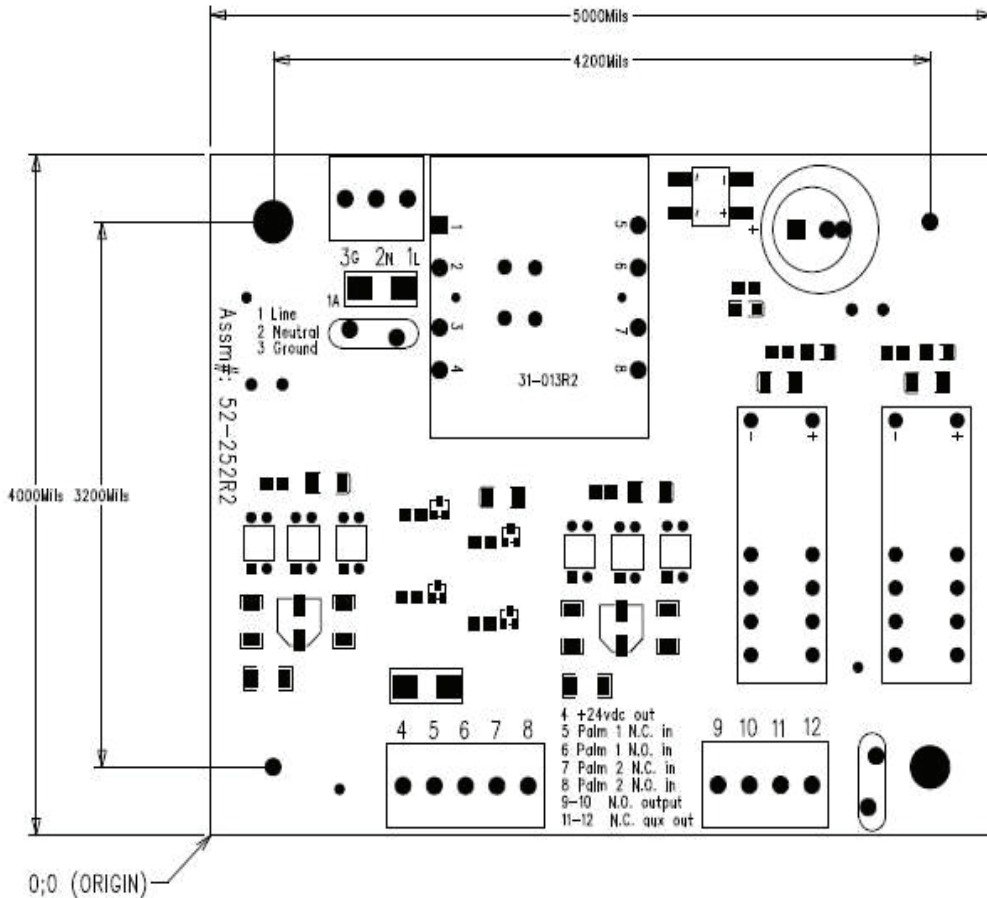


Plate Dimensions: 6.875" x 4.875"
Mounting Hole Dimensions: 6.250" x 4.250"

Box Dimensions: 8" x 6" x 3.6"
Mounting Hole Dimensions: 8.75" x 4"



Sales and Marketing Offices

United States

Pinnacle Systems, Inc.
P.O. Box 100088
Pittsburgh, PA 15233
Toll Free Number: 800-569-7697
Direct Number: 412-262-3950
Fax: 412-262-4055

Canada

Pinnacle Systems, Inc.
8-1734 Orangebrook Court
Pickering, Ontario L1W 3G8
Toll Free Number: 888-285-8885
Direct Number: 905-831-1111
Fax: 905-831-4064

Customer Service: (630) 443-8542

We have designed our equipment to the very highest performance and safety standards known to the current technological state of the art, as evidenced by our U.S.A. and foreign patents issued and pending. However, the installation, usage, suitability, and fitness of our equipment for any purpose, known or unknown, is interdependent upon the performance of other equipment not manufactured, installed, secured or maintained by Pinnacle Systems, Inc.

We cannot and do not accept responsibility for any overall system performance when factors, such as these, are beyond our control.

www.pinnaclesystems.com

sales@pinnaclesystems.com
service@pinnaclesystems.com